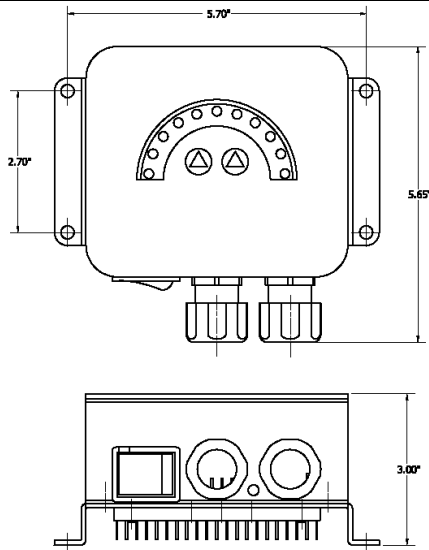


Solaira Variable Controller

Part# SCONT 120-208-240



The Solaira Variable Heat Controller (SCONT15-32) is a weatherproof, digital, solid-state power control designed to provide a convenient way to adjust heat output on electric infrared heating elements. It allows for adjusting heat output of the appliance from 10 to 100% of the available power. The control is simple and intuitive with the on/off switch that will turn the heater on to the last power setting when it was turn off and the “SOFT START” feature will bring the power up slowly to the emitter adding an estimated 15% to the emitter life. The up/down controls are simple to use and the heater level is shown on the LED front panel.

WEATHER PROOF

The Solaira Variable Heat Controller is engineered for installation in both indoor or outdoor applications including wet environments. The controller can be used to control heaters on outdoor applications including patios, outdoor structures and pergolas as well as all indoor applications.

POWER SOURCE

The controller is designed to control the following heating configurations:
115- 120 VAC up to 1600 Watt, Quartz Emitter (lamp) OR Tube technology
208- 240 VAC up to 3200 Watt, Quartz Emitter (lamp) OR Tube technology

DETAILS

- On/Off switch
- Controllable heat settings from 10 to 100%.
- Wall or post mounted, requires a 4”x 4” electrical wall box would mount
- Accommodates standard 1/2” conduit hardware
- Controller will operate
 - One (1) quartz lamps totaling up to 1600W at 115 to 120VAC
 - One (1) quartz tube totaling up to 1600W at 115 to 120VAC
 - One (1) or two (2) quartz lamps totaling up to 3200W at 208 to 240VAC
 - One (1) or two (2) quartz tubes totaling up to 3200W VAC

Caution: All quartz lamps have a high en-rush that can be as high as 15 times the steady state current. For this reason, the maximum number of appliances is two (2) of up to 1600W at 208/240V and one (1) of up to 1600W at 115 to 120VAC. Any higher wattages could damage the control.

PATIO COMFORTS

customerservice@patiocomforts.com • 1-877-264-3794 • FAX 512-261-6430 • www.patiocomforts.com